

T72xxUxTAX Series

5 MP TurboHD Kits

Cameras

- 5 MP High Performance CMOS
- Up to 2560 x 1944 Resolution
- 2.8 mm Fixed Lens
- EXIR 2.0 with up to 65 ft (20 m) IR Range
- Digital WDR, 3D DNR, BLC
- IP67 Protection

DVR

- Up to 5 MP Resolution Recording
- 4- or 8-ch 6 MP IP Cameras Input (8- or 16-ch if Analog Channels Are Disabled)
- H.265 Pro+/H.265 Pro/H.265/H.264+/H.264
- 4- or 8-ch Synchronous Playback
- 1 SATA Interface (10 TB Capacity per HDD)

Hikvision T72xxUxTAX Series 5 MP kits are cost-effective solutions for value-oriented users.

Each kit is supplied with four or six network cameras with 5 MP image sensors and a 4-, or 8-channel DVR in the same box.

Kit DVRs are pre-installed with a 1 or 2 TB HDD.

Available models:

T7204U1TA4

(1) DS-7204HUI-K1-1TB DVR + (4) TurboHD DS-2CE56H0T-ITMF Cameras

T7208U2TA6

(1) DS-7208HUI-K2-2TB DVR + (6) TurboHD DS-2CE56H0T-ITMF Cameras



T7204U2TA4: (4) 5 MP TurboHD Cameras • (1) 4-Channel DVR w/1 TB HDD



T7208U2TA6: (6) 5 MP TurboHD Cameras • (1) 8-Channel DVR w/2 TB HDD



Specifications

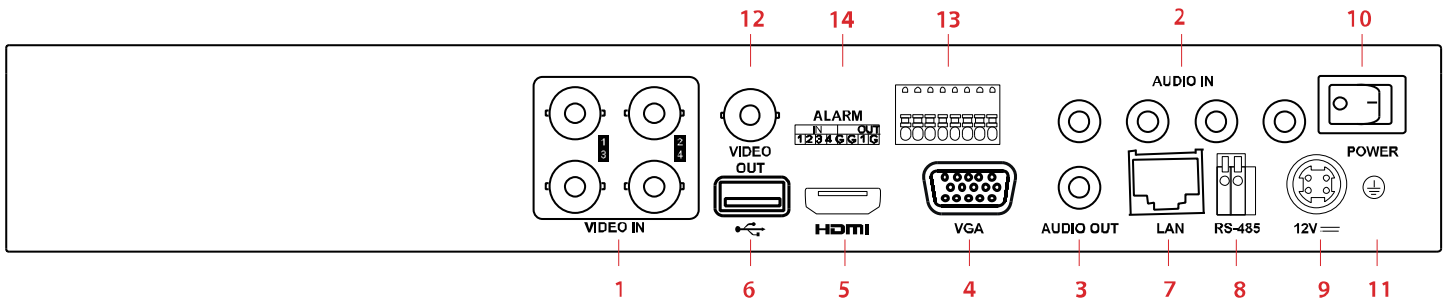
T7204U1TA4		T7208U2TA6
CAMERA		
Camera Model	DS-2CE56H0T-ITMF	
Camera Type	Turret	
Number of Cameras	4	6
Image Sensor	5 MP progressive scan CMOS	
Resolution	2560 (H) × 1944 (V)	
Minimum Illumination	Color: 0.01 lux @ (f/1.2, AGC on), 0 lux with IR	
Shutter Speed	1/30 s to 1/50,000 s	
Lens	2.8 mm fixed lens	
Horizontal Field of View	85.5°	
Lens Mount	M12	
Day/Night	IR cut filter	
Angle Adjustment	Pan: 0° to 360°; tilt: 0° to 75°; rotate: 0° to 360°	
Synchronization	Internal synchronization	
Frame Rate	5 MP @ 20 fps, 4 MP @ 30 fps, 1080p @ 30 fps	
Menu		
AGC	Supported	
Day/Night Mode	Auto/color/BW (black and white)	
White Balance	ATW/MWB	
BLC	Supported	
DWDR	Supported	
Language	English	
Functions	Brightness, sharpness, DNR, mirror, smart IR	
Interface		
TVI Video Output	1 HD analog output	
Switch Button	TVI/AHD/CVI/CVBS	
General		
Operating Conditions	-40° to 140° F [-40° to 60° C], humidity: 90% or less (non-condensing)	
Power Supply	12 VDC ±25%	
Power Consumption	Maximum 4.3 W	
Protection Level	IP67	
Material	Metal	
IR Range	Up to 65 ft (20 m)	
Communication	Up-the-Coax, protocol: HIKVISION-C (HD-TVI output)	
Dimensions	3.58" x 3.25" x 2.69" (91 mm x 82.6 mm x 68.3 mm)	
Weight	Approximately 0.77 lbs (350 g)	
DVR		
DVR Model	DS-7204HUI-K1	DS-7208HUI-K2
Recording		
Video Compression	H.265 Pro+/H.265 Pro/H.265/H.264+/H.264	
Encoding Resolution	When 8 MP Lite mode is not enabled: 8 MP/5 MP/4 MP/3 MP/1080p/720p/WD1/4CIF/VGA/CIF When 8 MP Lite mode is enabled: 8 MP Lite/3 MP/1080p/720p/WD1/4CIF/VGA/CIF	
Main Stream Frame Rate	When 8 MP Lite mode is not enabled: 8 MP @ 8 fps/5 MP @ 12 fps/4 MP @ 15 fps/3 MP @ 18 fps; 1080p/720p/WD1/4CIF/VGA/CIF @ 25 fps (P)/30 fps (N) <i>*8 MP @ 8 fps is available only for channel 1 of DS-7204HUI-K1</i>	
Sub-Stream Frame Rate	When 8 MP Lite mode is enabled: 8 MP Lite/3 MP/1080p/720p/WD1/4CIF/VGA/CIF @ 15 fps	
Video Bit Rate	WD1/4CIF/CIF @ 25 fps (P)/30 fps (N)	
Dual Stream	Supported	
Stream Type	Video, Video & Audio	
Audio Compression	G.711u	
Audio Bit Rate	64 Kbps	
Video and Audio		
IP Video Input	4-ch (up to 8-ch)	8-ch (up to 16-ch)
Analog Video Input	Up to 8 MP resolution Supports H.265+/H.265/H.264+/H.264 IP cameras	
HDTVI Input	4-ch	8-ch
AHD Input	BNC interface (1.0 Vp-p, 75 Ω), supports Hikvision-C connection	
HDCVI Input	8 MP, 5 MP, 4 MP, 3 MP, 1080p30, 1080p25, 720p60, 720p50, 720p30, 720p25	
CVBS Input	5 MP, 4 MP, 1080p25, 1080p30, 720p25, 720p30	
CVBS Output	5 MP, 4 MP, 1080p25, 1080p30, 720p25, 720p30	
VGA Output	PAL/NTSC	
HDMI Output	1-ch, BNC (1.0 Vp-p, 75 Ω), resolution: NTSC: 704 × 480	
Audio Input	1-ch, 1920 × 1080/60 Hz, 1280 × 1024/60 Hz, 1280 × 720/60 Hz, 1024 × 768/60 Hz	
Audio Output	1-ch, 1920 × 1080/60 Hz, 1280 × 1024/60 Hz, 1280 × 720/60 Hz, 1024 × 768/60 Hz	
Two-Way Audio	1-ch, 4K (3840 × 2160)/30 Hz, 2K (2560 × 1440)/60 Hz, 1920 × 1080/60 Hz, 1280 × 1024/60 Hz, 1280 × 720/60 Hz, 1024 × 768/60 Hz	
Synchronous Playback	4-ch	8-ch
Network		
Remote Connection	32	64
Network Protocol	TCP/IP, PPPoE, DHCP, Hik-Connect, DNS, DDNS, NTP, SADP, NFS, iSCSI, UPnP™, HTTPS, ONVIF	
Network Interface	1, RJ-45 10M/100M self-adaptive Ethernet interface	

Specifications (continued)

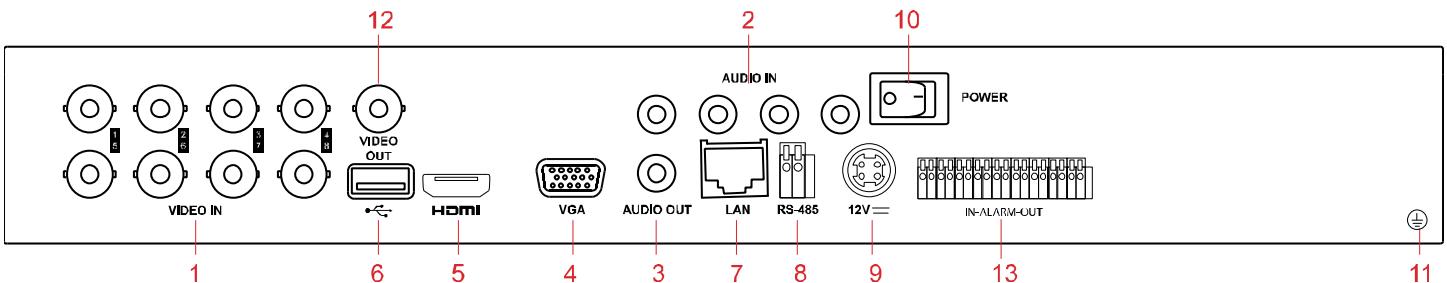
Auxiliary Interface		
SATA	1 SATA interface	
Capacity	Up to 10 TB capacity for each disk	
Serial Interface	RS-485 (half-duplex)	
USB Interface	2 × USB 2.0	Front panel: 1 × USB 2.0 Rear panel: 1 × USB 3.0
Alarm In/Out	4/1	8/4
General		
Power Supply	12 VDC	
Consumption (without HDD)	≤10 W	≤20 W
Working Temperature	+14° to +131° F (-10° to +55°C)	
Working Humidity	10% to 90% non-condensing	
Dimension (W × D × H)	12.4" × 9.5" × 1.8" (315 mm × 242 mm × 45 mm)	
Weight (without HDD)	≤2.6 lb (≤1.16 kg)	≤4.4 lb (≤2 kg)

Interface

DS-7204HUI-K1 DVR Rear Panel



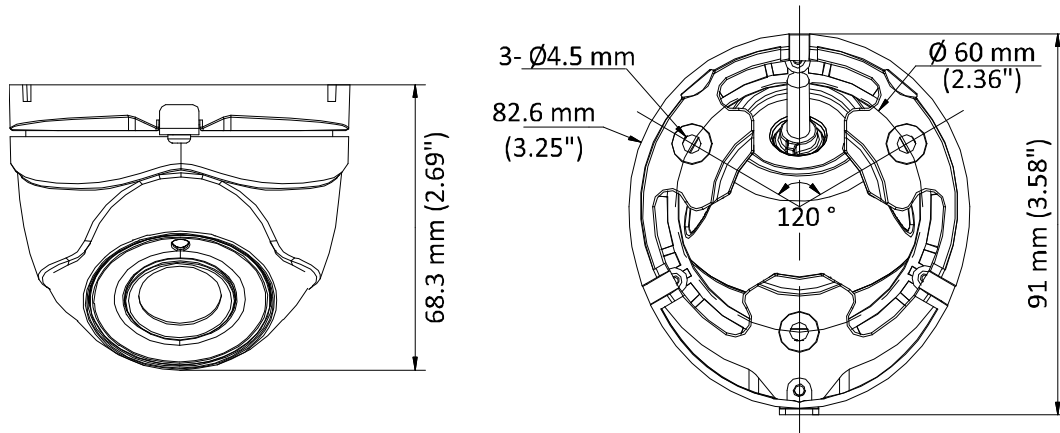
DS-7208HUI-K2 DVR Rear Panel



No.	Item	Description
1	Analog Camera Inputs	BNC connectors for analog input
2	Audio In	RCA connectors
3	Audio Out	RCA connectors
4	VGA	DB-15 connector for VGA output. Displays local video output and menu.
5	HDMI	HDMI video output connector
6	USB Interface	Universal Serial Bus port for additional devices
7	LAN	Network connector
8	RS-485	Connector for RS-485 devices: T+ and T- pins connect to R+ and R- pins of PTZ receiver respectively Connect D+, D- pins to controller's Ta, Tb pins (for cascading devices, connect first DVR's D+, D- pins to next DVR's D+, D- pins)
9	Power Input	Input: 100 to 240 VAC, Output: 12 VDC
10	Power Switch	Switch for turning device on/off
11	Ground	Grounding screw
12	Video Out	BNC connector for CVBS signal out

Dimensions

DS-2CE56HOT-ITMF Camera



Unit: mm (inch)

Accessories (Not Included)

							
WMS Wall Mount Short	WML Wall Mount Long	PC110T 110 mm Pendant Cap	PM Pole Mount	CM Corner Mount	CBXS Conduit Base	CPM Ceiling Pendant Mount	CPME Ceiling Pendant Mount Extendable Pole

			
RPM Roof Parapet Mount	SRS Sun/Rain Shade	SRSM Sun/Rain Shade Medium	SRSL Sun/Rain Shade Large

Box Contents (Subject to Change without Notice)

Drill Template
 Power Pigtail with Power Leads
 Quick Start Guide
 Screws
 Mouse
 Remote
 AAA Cells x 2
 Power Supply
 Rack Ears x 2 (DS-7208HUI-K2 only)

