

## DS-2CC52D9T-IT3E

### 2 MP Outdoor Ultra-Low Light PoC Turret Camera



- 2 MP High Performance CMOS
- Up to 1080p Resolution
- Ultra-Low Light Pro
- 3.6 mm Lens (2.8 mm and 6 mm Optional)
- 120 dB True WDR
- EXIR 2.0 with up to 130 ft (40 m) IR Range
- Dual Output: 1 HD Analog Output and 1 CVBS Output
- PoC.at, Smart Voltage Detection
- Up-the-Coax (HIKVISION-C)
- IP67 Protection

The Hikvision DS-2CC52D9T-IT3E 2 MP Outdoor Ultra-Low Light Power-over-Coax (PoC) Turret Camera provides high definition analog output. TurboHD means that the analog signal can be sent over existing coaxial cable, eliminating the need to run new cables for high definition video.

EXIR 2.0 is Hikvision's proprietary IR extended range technology, which has a range of 130 feet (40 meters).

The 3.6 mm and optional 2.8 and 6 mm lenses are optimized for viewing angles that fit any situation. True 120 db WDR (Wide Dynamic Range) ensures that ideal images are captured regardless of the lighting conditions.

**Available models:**  
DS-2CC52D9T-IT3E



# Specifications

## DS-2CC52D9T-IT3E

### Camera

Image Sensor	2.0 MP progressive scan CMOS
Signal System	NTSC
Effective Resolution	1920 (H) × 1080 (V)
Frame Rate	1080p @ 30 fps
Minimum Illumination	0.003 lux @ (f/1.2, AGC on), 0 lux with IR
Shutter Speed	1/30 s to 1/50,000 s
Slow Shutter	Maximum: 30 times
Lens	3.6 mm (2.8 mm and 6 mm options)
Horizontal Field of View	103.5° (2.8 mm), 82.6° (3.6 mm), 54.4° (6 mm)
Lens Mount	M12
Day/Night	Auto/color/BW (Black and White)
Angle Adjustment	Pan: 0° to 360°, Tilt: 0° to 75°, Rotate: 0° to 360°
Synchronization	Internal synchronization
WDR	>120 dB

### Menu

AGC	Supported
Day/Night Mode	Auto/Color/BW (Black and White)
White Balance	ATW/AWC-SET/MANUAL
Privacy Mask	ON/OFF, 8 programmable privacy masks
Motion Detection	4 programmable motion areas
Backlight Compensation	WDR/BLC/HLC/off
2D and 3D DNR	On/off
Voltage Detection	Supported
Scene	Indoor/outdoor/indoor/low light
Functions	Defog, mirror, defective pixel correction, sharpness, camera title

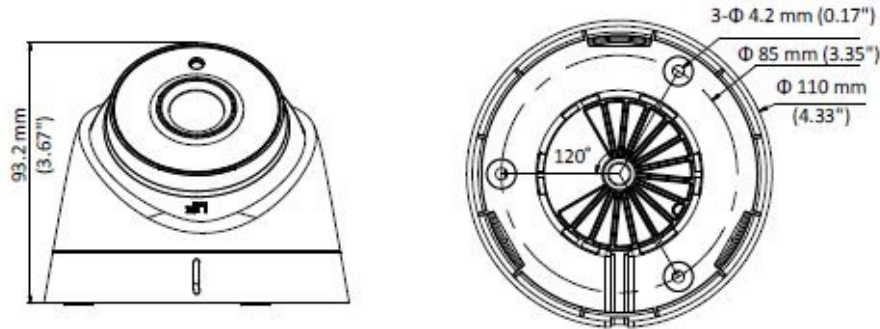
### Interface

Video Output	1 HD analog output/1 Vp-p composite output (75 Ω/BNC)
--------------	-------------------------------------------------------

### General

Operating Conditions	-40° F to 140° F (-40° C to 60° C), humidity: 90% or less (non-condensation)
Power Supply	12 VDC ±30%/PoC.at
Power Consumption	Maximum: 4 W
IR Range	Up to 130 ft (40 m)
Protection Level	IP67
Communication	Up-the-coax, Protocol: HIKVISION-C
Dimensions	Φ 4.33" x 3.67" (Φ 110 mm x 93.2 mm)
Weight	Approximately 0.44 lbs (0.2 kg)

# Dimensions



# Accessories

## NOT INCLUDED



**PC110T**  
Pendant Cap



**CBS**  
Conduit Base



**ABS**  
Inclined  
Ceiling Mount



**DS-1H18**  
Video Baluns

## INCLUDED<sup>1</sup>



**24 VAC to 12 VDC Converter/Filter**  
Use for 24 VAC line interference

See Technical Bulletin:

[https://us.hikvision.com/sites/default/files/tb/tb\\_power\\_filter\\_121319na.pdf](https://us.hikvision.com/sites/default/files/tb/tb_power_filter_121319na.pdf)

<sup>1</sup>Included in box since 6/19. Contact Hikvision Customer Service, cust.usa@hikvision.com, to request converter/filter at no charge if it is needed and is not included in your box. Please include camera model number, serial number, place of purchase, and shipping address.