

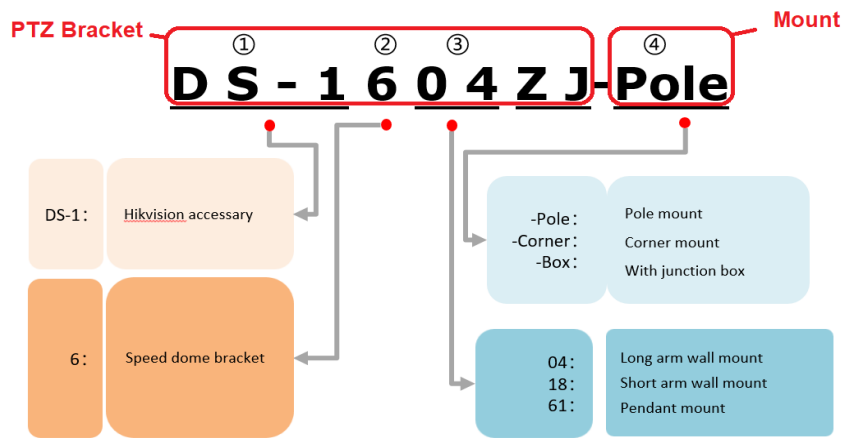
## Hikvision Canada Camera Accessory Cross-Reference

Currently there are two different implementations on the camera accessories at Hikvision,

1. One being adopted by Hikvision Canada: accessories are named, packaged and sold separately
2. Another being adopted by Hikvision Global: accessories are named, packaged and sold in bundles, see the following examples,
  1. The PTZ bracket – 1604 (ZJ is a general code for brackets), and the Pole mount are bundled in one package, and under one model name:

### Naming Rule

HIKVISION

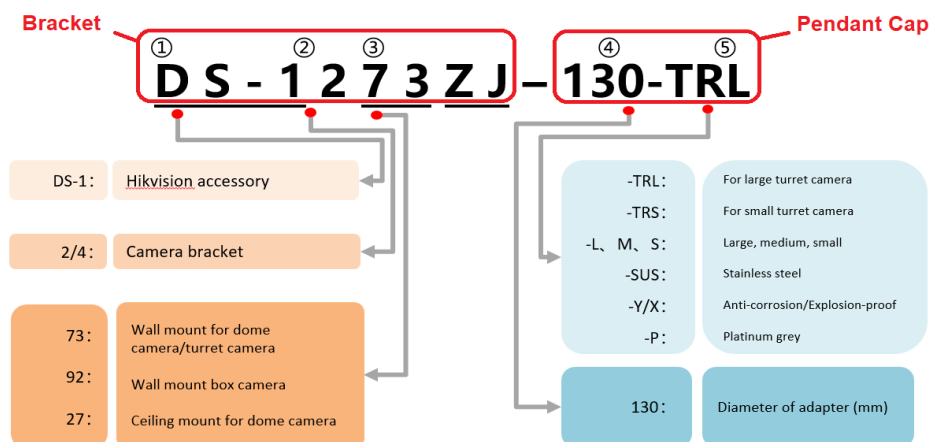


First Choice for Security Professionals

2. The bracket and the pendant cap are bundled in one package:

### Naming Rule

HIKVISION



First Choice for Security Professionals

So here is a list of camera accessory cross-reference to help our customers better understand the correlation between the Canada model name and its equivalent global model name,

| Canada Model        | Global Model                    |
|---------------------|---------------------------------|
| <b>PTZ Brackets</b> |                                 |
| WMP-L               | DS-1602ZJ                       |
| JBP                 | DS-1674ZJ                       |
| JBPW                | DS-1602ZJ-Box                   |
| JBPW-L              | DS-1604ZJ-Box                   |
| CPM-S               | DS-1661ZJ                       |
| CPM-L               | DS-1662ZJ                       |
| CPMPE               | DS-1682ZJ                       |
| WMP-S               | DS-1618ZJ                       |
| RPM                 | DS-1660ZJ                       |
| PMP                 | DS-1215ZJ                       |
| CMP                 | DS-1672ZJ                       |
| CMPL                | Adapter of DS-1602ZJ-BOX-Corner |
| PMPL                | Adapter of DS-1602ZJ-BOX-Pole   |
| JBM-PZ              | DS-1280ZJ-PT3                   |
| SNB-PV              | DS-1619ZJ                       |
| SNB-PV-G            | DS-1619ZJ-HP2                   |

|                            |                                     |
|----------------------------|-------------------------------------|
| <b>Camera Housing</b>      |                                     |
| CHB                        | DS-1331HZ-C + DS-1293ZJ             |
| CHB-HBW                    | DS-1322HZ-HW + DS-1293ZJ            |
| CHB-HB                     | DS-1331HZ-H + DS-1293ZJ             |
| <b>Box Camera Brackets</b> |                                     |
| WBS                        | DS-1292ZJ                           |
| WBL                        | DS-1293ZJ                           |
| <b>Universal Brackets</b>  |                                     |
| CPME                       | DS-1279ZJ                           |
| CPM                        | the Pole part of DS-1271ZJ          |
| WMS                        | DS-1272ZJ-XXX(B)                    |
| WML                        | DS-1273ZJ-XXX(B) / DS-1473ZJ-XXX(B) |
| PM                         | DS-1275ZJ /DS-1275ZJ-SUS            |
| CM                         | DS-1276ZJ /DS-1276ZJ-SUS            |
| PM1                        | DS-1475ZJ-SUS                       |
| CM1                        | DS-1476ZJ-SUS                       |

|                     |                               |
|---------------------|-------------------------------|
| PM-LPR              | DS-2251ZJ                     |
| WMP                 | DS-1605ZJ-DM30                |
| <b>Pendant Cap</b>  |                               |
| PC110               | The Cap of DS-XXXXZJ-110      |
| PC110T              | The Cap of DS-XXXXZJ-110-TRS  |
| PC120               | The Cap of DS-XXXXZJ-120      |
| PC130               | The Cap of DS-XXXXZJ-130      |
| PC130T              | The Cap of DS-XXXXZJ-130-TRL  |
| PC135               | The Cap of DS-1273ZJ-135      |
| PC135H              | The Cap of DS-1473ZJ-135      |
| PC140               | The Cap of DS-XXXXZJ-140      |
| PC140PT             | The Cap of DS-XXXXZJ-PT6      |
| PC140-DM45          | The Cap of DS-XXXXZJ-140-DM45 |
| PC155               | The Cap of DS-1273ZJ-155      |
| PC155 (Gasket)      | The Cap of DS-1473ZJ-155      |
| PC160               | The Cap of DS-XXXXZJ-160      |
| PC165               | The Cap of DS-XXXXZJ-DM26     |
| PC210               | The Cap of DS-XXXXZJ-DM30-B   |
| PC-VH               | The Cap of DS-XXXXZJ-DM32     |
| PC-FE               | The Cap of DS-XXXXZJ-DM25     |
| PC-G1               | The Cap of DS-1618ZJ-6D       |
| PC-6D               | DS-1270ZJ-D7                  |
| <b>Conduit Base</b> |                               |
| CB110               | DS-1280ZJ-DM18                |
| CB120               | DS-1280ZJ-DM46                |
| CB130               | DS-1260ZJ                     |
| CB130T              | DS-1280ZJ-DM8                 |
| CB135               | DS-1280ZJ-DM21                |
| CB140PT             | DS-1280ZJ-PT6                 |
| CB140-DM45          | DS-1280ZJ-DM45                |
| CB155               | DS-1280ZJ-DM55                |
| CB165               | DS-1280ZJ-DM26                |
| CB210               | DS-1280ZJ-BQ30                |
| CB-FE               | DS-1280ZJ-DM25                |
| CBM                 | DS-1280ZJ-M                   |
| CBS                 | DS-1280ZJ-S                   |
| CBT-1               | DS-1280ZJ-TR6                 |
| CBD-MINI            | DS-1280ZJ-DM22                |

|                    |                                 |
|--------------------|---------------------------------|
| CBXS               | DS-1280ZJ-XS with imperial type |
| CB-6D              | DS-1280ZJ-DE7                   |
| <b>Angled Base</b> |                                 |
| AB110              | DS-1259ZJ                       |
| AB135              | DS-1281ZJ-DM23                  |
| AB165              | DS-1281ZJ-DM26                  |
| AB-FE              | DS-1281ZJ-DM25                  |
| AB-FE2             | DS-1281ZJ-DM27                  |
| AB-FE45            | N/A                             |
| ABT-1              | DS-1281ZJ-TR8                   |
| ABM                | DS-1281ZJ-M                     |
| ABL                | DS-1240ZJ                       |
| ABS                | DS-1281ZJ-S                     |

|   |  |
|---|--|
| <b>Recessed Ceiling Mount</b>           |  |
| RCM-1                                   | DS-1227ZJ                                |
| RCM-2                                   | DS-1241ZJ                                |
| RCM-3                                   | DS-1249ZJ                                |
| RCM-4                                   | DS-1227ZJ-PT6                            |
| RCM-5                                   | DS-1227ZJ-DM37                           |
| RCM-6                                   | DS-1671ZJ-SDM9                           |
| RCM-VH                                  | DS-1227ZJ-DM32                           |
| RCM-G                                   | N/A                                      |
| RCM-DM44                                | DS-1227ZJ-DM44                           |
| <b>Wall Mount</b>                       |  |
| WM-C                                    | DS-1294ZJ                                |
| WMP                                     | The wall mount of DS-1605ZJ-DM30         |
| WM110                                   | DS-1258ZJ                                |
| <b>Wall Bracket For Pan-Tilt System</b> |  |
| WBPT                                    | DS-1693ZJ                                |
| WBPT-S                                  | DS-1693ZJ-S                              |
| <b>Gange Plate</b>                      |  |
| GP100                                   | DS-1244ZJ                                |
| GP120                                   | DS-1282ZJ-DM(MINI)                       |
| GP-FE1                                  | GP-FE1                                   |
| Turret 23G0/WD-Double Gang Plate        | Plate of DS-1273ZJ-130-TRL with 6 screws |

|  |                      |
|--|----------------------|
| <b>Sun/Rain Shield for Outdoor Dome Camera</b> |                      |
| SRS  | DS-1250ZJ            |
| SRSL   | DS-1253ZJ-L          |
| SRSM   | DS-1253ZJ-M          |
| <b>Fisheye Camera Bracket</b>                  |                      |
| WM-FE  | DS-1283ZJ            |
| PP1  | DS-1297ZJ            |
| PP2  | DS-1299ZJ            |
| <b>PanoVu Camera Bracket</b>                   |                      |
| WMP-PV   | DS-1603ZJ            |
| CB-PVP   | DS-2663ZJ            |
| CPM-PV   | DS-1668ZJ            |
| CPM20-PV                                       | DS-1668ZJ(20)        |
| PM-G   | DS-1275ZJ-P          |
| CM-G   | DS-1276ZJ-P          |
| WMP-PV-G                                       | DS-1603ZJ-P          |
| CPM-PV-G                                       | DS-1668ZJ-P          |
| CPM20-PV-G                                     | DS-1668ZJ(20)-P      |
| PC-G1  | DS-1618ZJ-6D         |
| <b>Mini PanoVu Camera Bracket</b>              |                      |
| WMP-PM   | DS-1294ZJ-TRL        |
| CPM-PM   | DS-1271ZJ-PT10       |
| WMP-MPZ  | DS-1294ZJ-PT         |
| <b>Explosion Proof Dome</b>                    |                      |
| CMP-FSS  | DS-1696ZJ-X          |
| WMP-FSS  | DS-1697ZJ-X          |
| WB-EP  | DS-1704ZJ            |
| <b>Stainless Steel Bracket</b>                 |                      |
| JBM-SS   | DS-1284ZJ-M          |
| WB-SS  | DS-1701ZJ            |
| WMS-SS   | DS-1703ZJ            |
| CPM-SS   | DS-1696ZJ            |
| WMP-SS   | DS-1697ZJ            |
| WB-XC  | DS-1705ZJ-DM35       |
| <b>Accessories for DS-2DE4A</b>                |                      |
| PC-DE4A  | The Cap of DS-1605ZJ |
| CB-DE4A  | DS-1280ZJ-SD11       |
| RCM-DE4A                                       | DS-1671ZJ-SD11       |

| Mounts for 6810   |   |
|---|---|
| CM6810  | DS-1227ZJ-P1                            |
| WM6810  | DS-2102ZJ                               |
| Gray Mount Customizations for DarkfighterX/Gray PTZ (G represents gray) |   |
| WMP-L-G   | DS-1602ZP-P                             |
| CPM-S-G   | DS-1663ZJ-P                             |
| CPM-L-G   | DS-1661ZJ-P                             |
| CPMPE-G   | DS-1682ZJ-P                             |
| RPM-G   | DS-1660ZJ-P                             |
| CMP-JB  | DS-1604ZJ-BOX-Corner (corner part)      |
| CMP-JB-G  | DS-1604ZJ-BOX-CORNER-P (corner part)    |
| PMP-JB  | DS-1604ZJ-BOX-POLE (pole part)          |
| PMP-JB-G  | DS-1604ZJ-BOX-POLE-P (pole part)        |
| PMP-V   | DS-1673ZJ                               |
| PMP-V-G   | DS-1673ZJ-P                             |
| JBPW-L-G  | DS-1604ZJ-BOX-P                         |
| Black Bracket for Camera  |   |
| PC135B  | The Cap of DS-1273ZJ-135 (Black)        |
| PC110B  | The Cap of DS-1272ZJ-110 (Black)        |
| PC110TB   | The Cap of DS-1272ZJ-110-TRS (Black)    |
| PC120B  | The Cap of DS-1272ZJ-120 (Black)        |
| PC130B  | The Cap of DS-1273ZJ-130 (Black)        |
| PC130TB   | The Cap of DS-1273ZJ-130-TRL (Black)    |
| PC140B  | The Cap of DS-1273ZJ-140 (Black)        |
| PC140-Black   | The Cap of DS-1273ZJ-140 (Black)        |
| PC155B  | The Cap of DS-1273ZJ-155 (Black)        |
| PC155B (Gasket)   | The Cap of DS-1473ZJ-155 (Black)        |
| CB135B  | DS-1280ZJ-DM21 (Black)                  |
| CB155B  | DS-1280ZJ-DM55 (Black)                  |
| CB130TB   | DS-1280ZJ-DM8 (Black)                   |
| CB110B  | DS-1280ZJ-DM18 (Black)                  |
| CBD-MINIB   | DS-1280ZJ-DM22 (Black)                  |
| CBMB  | DS-1280ZJ-M (Black)                     |
| CBSB  | DS-1280ZJ-S (Black)                     |
| CBXSB   | DS-1280ZJ-XS (Black) with imperial type |
| AB110B  | DS-1259ZJ (Black)                       |
| AB135B  | DS-1281ZJ-DM23 (Black)                  |

|        |  |
|--------|--|
| ABSB   | DS-1281ZJ-S (Black)                                  |
| ABMB   | DS-1281ZJ-M (Black)                                  |
| RCM-1B | DS-1227ZJ (Black)                                    |
| RCM-2B | DS-1241ZJ (Black)                                    |
| RCM-3B | DS-1249ZJ (Black)                                    |
| WM110B | DS-1258ZJ (Black)                                    |
| WMLB   | Wall mount of DS-1273ZJ-135B (Black)                 |
| WMSB   | Wall mount of DS-1272ZJ-XXXB                         |
| CB120B | DS-1280ZJ-DM46 (Black)                               |
| CPMB   | DS-1271ZJ-110 (Black) remove cap and leave the mount |
| SRSB   | DS-1250ZJ (Black)                                    |

Here are a few examples about how to use this cross reference table,

- Q:** What is the corresponding global model number of PC 120B?  
**A:** *it is the Cap of DS-1272ZJ-120 (Black), The global model DS-1272ZJ-120(Black) is sold in bundle and it comes with Cap (PC 120B) and wall mount(WMP-S). the it is included in the global package DS-1272ZJ-120 (Black)*
- Q:** What is the corresponding global model name of CPM?  
**A:** *it is the Pole part of DS-1271ZJ, it is included in the global package DS-1271ZJ*
- Q:** What is the corresponding Canadian model name(s) of DS-1604ZJ-BOX-POLE?  
**A:** *it is the Pole mount PMP-JB + wall mount JBPW-L(DS-1604ZJ-BOX).*
- Q:** What is the corresponding global model number of CB110?  
**A:** *it is DS-1280ZJ-DM18 (conduit base only).*
- Q:** What is the corresponding global model number of WMS?  
**A:** *it is DS-1272ZJ-XXX(B), since DS-1272ZJ-XXX(B) is a bundle of wall mount + pendant cap, the "XXX" represent the size of the pendant cap. For example, if you would like to have WMS + PC120, so the model number will be "DS-1272ZJ-120(B)", in this model number "(B)" does not represent colour black.*